



## Power Organizer Tower

### A Great Place to Store Papers and Wired Components

The Power Organizer Tower is a way to add storage and organization to your Caretta Desk. The tower, with either three or six heavy-duty shelves, can be mounted to either side of the desk, or on top of a Desktop Riser Shelf. It is an ideal place for paper storage, such as an in/out basket, but it can do much more than that. There is a grommet on the desk attachment base that gives access to the main desk cable tray. With this, you can store wired components such as wireless routers and docking stations, and the cables disappear into the desk.

The tower also brings three AC power outlets directly to the desktop. This is handy for plugging in a laptop computer, mobile phone charging connector, or any plug-in device that you use at your desktop.

#### Versions:

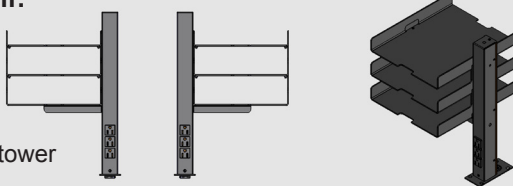
##### Power Organizer Tower, 3 Shelf:

**Part #:** 511-0013-00-00-0

**Size:** H: 17.19" W: 12.05" D: 12.00"

**Weight:** 9 lbs.

**Note:** Shelves can be attached to either left or right side of the tower

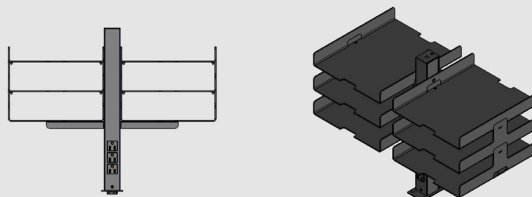


##### Power Organizer Tower, 6 Shelf:

**Part #:** 511-0014-00-00-0

**Size:** H: 17.19" W: 21.83" D: 12.00"

**Weight:** 15 lbs.



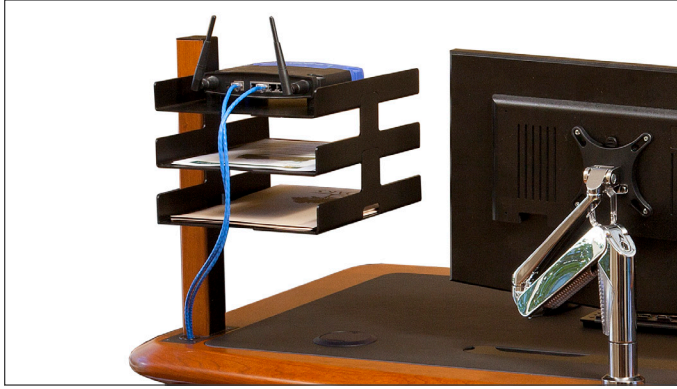
There are two versions of the Power Organizer Tower. One version has 3 shelves that you can attach to either side of the tower, the other has 6 shelves, three on each side.

- Store Papers
- Cable Management
- AC Plugs at Desktop
- 3 or 6 Shelf Versions



With AC plugs on the desktop, you have easy access to plug in a laptop computer or cell phone for charging.

## Power Organizer Tower: Features



### Cable Management

There is a pass-through grommet on top of the plate that attaches the Power Organizer Tower to the desk. Through this, you can route cables into the main desk cable tray, where you have access to your computer and the surge-suppressing power strip. The shelves can hold heavy equipment because they are made of heavy-duty aluminum with a sturdy bracket, attached to a steel tower.



### Three AC Power Plugs

On the front of the Power Organizer Tower, there are three AC power plugs. This adds extra functionality to your desk by providing a place to plug in a laptop computer, phone charger, or anything else that requires plug-in power at your desktop.



### Wood Accents

On the back side of the Power Organizer Tower, there is a solid cherry wood accent piece that is finished to match your desk. Each piece goes through a detailed 10-step finish process which is perfected with time and hand work.



### Fits All Premium Hardwood Desks with Multiple Attachment Locations

The Power Organizer Tower can be mounted to any Caretta Artistic Series Desk, Modern Urban Series Desk, Traditional Standing Desk, Traditional Computer Desk or on top of a Desktop Riser Shelf. The tower can attach to either side of the desk, or both sides for maximum storage capability.

## Power Organizer Tower: Photos



An Artistic Computer Desk 2 with a 3 Shelf Power Organizer Tower attached. This office is using the tower to house a wireless router, with the cables routing into the main desk cable tray.

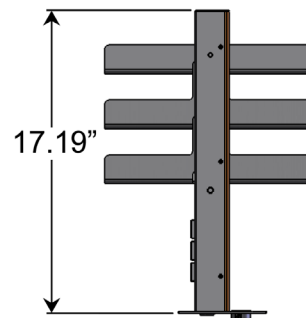
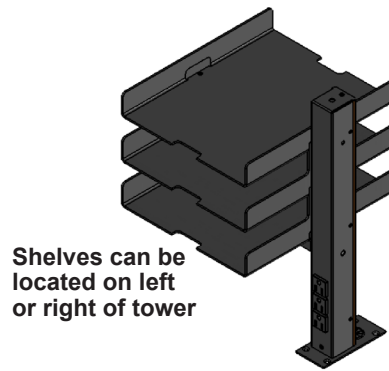
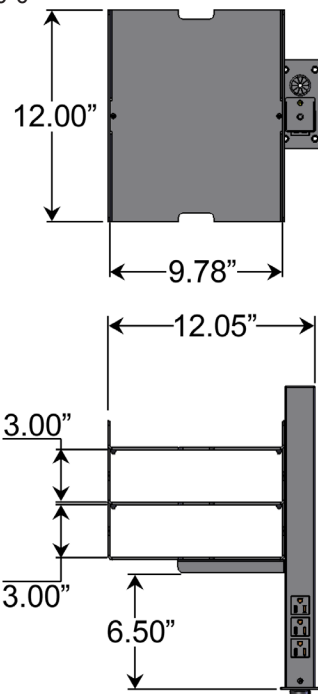


This Artistic Computer Desk 2 has a 6 Shelf Power Organizer Tower.

## Power Organizer Tower: Dimensions

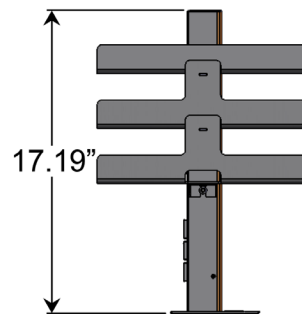
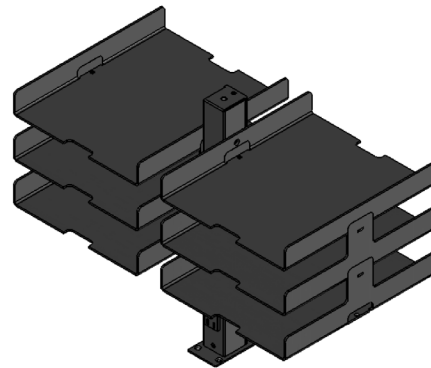
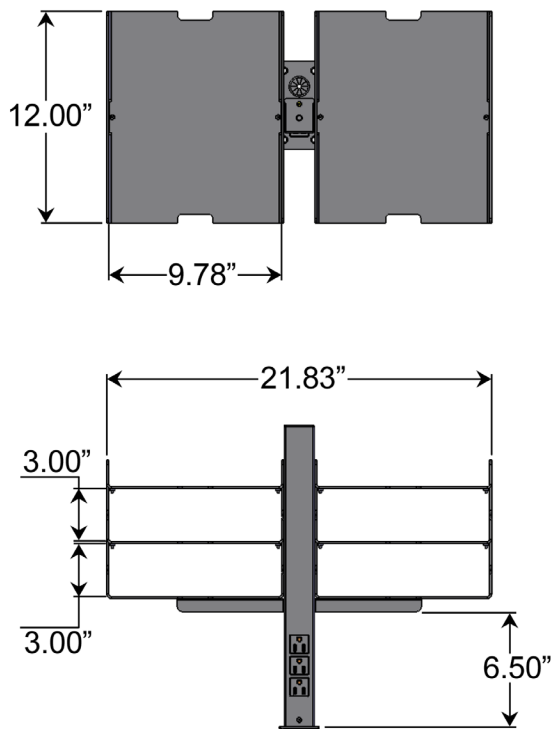
### Power Organizer Tower, 3 Shelf:

Part #: 511-0013-00-00-0



### Power Organizer Tower, 6 Shelf:

Part #: 511-0014-00-00-0



## Power Organizer Tower: **Specifications**

Part Number:	<ul style="list-style-type: none"> <li>• Power Organizer Tower, 3 Shelf: 511-0013-00-00-0</li> <li>• Power Organizer Tower, 6 Shelf: 511-0014-00-00-0</li> </ul>
Compatible With:	<ul style="list-style-type: none"> <li>• Artistic Series Desks, Modern Urban Series Desks, Traditional Standing Desks, Traditional Computer Desk, Premium Hardwood Desktop Riser Shelves</li> </ul>
Dimensions:	<ul style="list-style-type: none"> <li>• Power Organizer Tower, 3 Shelf: H: 17.19" W: 12.05" D: 12.00"</li> <li>• Power Organizer Tower, 6 Shelf: H: 17.19" W: 21.83" D: 12.00"</li> <li>• Shelf dimensions: W: 9.78" D: 12.00"</li> <li>• Space in-between lower shelves: H: 3.00"</li> <li>• Space in-between desk top and lower shelf bracket: H: 6.50"</li> </ul>
Weight:	<ul style="list-style-type: none"> <li>• Power Organizer Tower, 3 Shelf: 9 lbs.</li> <li>• Power Organizer Tower, 6 Shelf: 15 lbs.</li> </ul>
Tower:	<ul style="list-style-type: none"> <li>• Heavy gauge steel with black textured paint</li> <li>• Premium solid cherry hardwood rear face</li> <li>• 1/4-20 steel threaded insert for camera mount on top of tower</li> </ul>
Shelf Bracket:	<ul style="list-style-type: none"> <li>• Heavy gauge steel with textured black paint</li> </ul>
Shelves:	<ul style="list-style-type: none"> <li>• Each shelf is made of formed aluminum, painted black</li> <li>• The shelf is wide enough to handle wireless routers, tablet computers and other standard equipment</li> <li>• Shelves work great as paper trays, for books, and other heavy objects</li> </ul>
Power Outlets:	<ul style="list-style-type: none"> <li>• Three outlets face the desk top</li> <li>• Power cord plugs into main desk power strip</li> </ul>
Solid Hardwood Face:	<ul style="list-style-type: none"> <li>• Premium solid cherry hardwood</li> <li>• Hand selected for unique grain patterns</li> <li>• Wood source is FSC Certified</li> <li>• CNC manufacturing ensures precision fit</li> </ul>
Cable Management:	<ul style="list-style-type: none"> <li>• Cables route from the back of the tower, with access to main desk cable tray</li> </ul>
Assembly:	<ul style="list-style-type: none"> <li>• Tower attaches to desk with four Phillips head wood screws</li> <li>• Shelves attach to the tower with one 1/4-20 screw and one 10-32 screw</li> <li>• Towers can be mounted on either side, or both sides of the desk top or desktop riser shelf</li> </ul>
Typical Lead Time:	<ul style="list-style-type: none"> <li>• In Stock - 2 weeks</li> </ul>



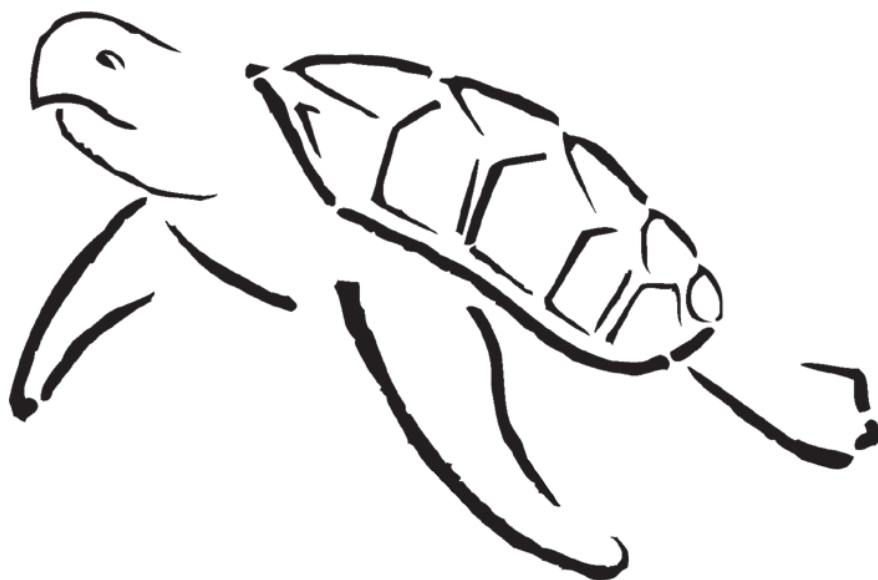
# Power Organizer Tower

Desk Accessories


Desk Accessories

Power Organizer Tower

Power Organizer Tower



635 Enterprise Drive  
Lewis Center, OH 43035  
Phone: 614-430-8660  
[www.CarettaWorkspace.com](http://www.CarettaWorkspace.com)  
 Made in America

Questions? Call Us!  
 (877)422-1088