



30" Lateral File Cabinet with Cherry Wood Top

The standard file cabinet is painted black with a full front drawer pull. To inquire about different color and drawer pull options, please contact the factory.

Lateral File Cabinet with Premium Wood Top

A 30" Wide Lateral File Cabinet Compliments the Caretta Office

The 30" Lateral File Cabinet with Premium Wood Top is a commercial grade, locking steel file cabinet that is fitted with a cherry wood top. The beautiful hardwood on top of this file cabinet features a bull-nose edge and wood finish that is the same used in other Caretta Workspace products. This makes the file cabinet fit perfectly into a Caretta office.

The file cabinet can hold different sizes of file folders in multiple configurations, laterally or side-by-side. These high quality file cabinets feature sturdy steel construction, locking drawers and a factory installed counterweight.

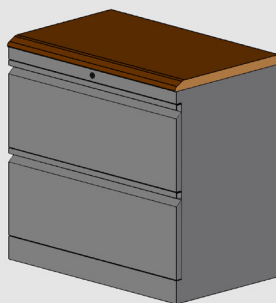
Versions:

Lateral File Cabinet with Premium Wood Top:

Part #: 521-0007-00-00-0

Size: H: 29.00" W: 30.00" D: 18.57"

Weight: 110 lbs.



- Adds Office Storage
- Wood Top Matches Desk
- Sturdy Construction
- Locking Drawers



The cabinet has a secure lock that can be keyed alike, or different from other file cabinets from Caretta.



635 Enterprise Drive
Lewis Center, OH 43035
Phone: 614-430-8660
www.CarettaWorkspace.com
Made in America

Questions? Call Us!
(877)422-1088

Lateral File Cabinet with Premium Wood Top: **Features**



Premium Cherry Hardwood Top

The solid cherry hardwood used in the file cabinet top is selected for its unique grain patterns, then finished with a durable, bright, natural cherry finish. Each piece goes through a detailed 10-step finish process, which is perfected with time and hand work.



Sturdy Construction

The all steel, all welded file cabinets meet or exceed applicable ANSI-BIFMA standards for durability and safety. A factory installed counterweight adds stability and security.



Locking Drawers

There are two 9.5" deep file drawers in each cabinet. The cabinets have a secure lock that can be keyed alike, or different from other Caretta file cabinets. There is a single lock on each cabinet for both drawers.

Lateral File Cabinet with Premium Wood Top: **Photo**

Companion Products

Companion Products

Lateral File Cabinet with Premium Wood Top

Lateral File Cabinet with Premium Wood Top



A 30" Lateral File Cabinet with Premium Wood Top sits next to a Side Table with a Modern Hutch.

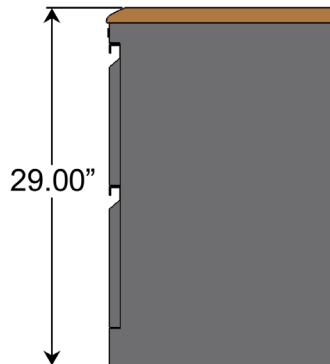
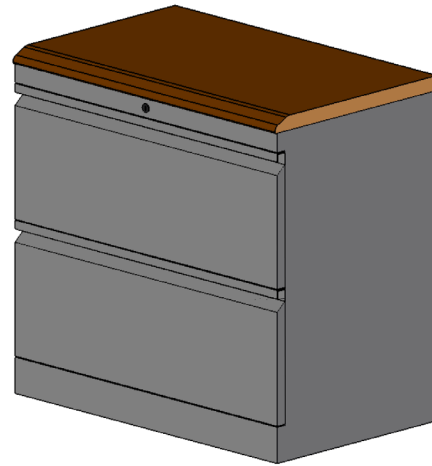


635 Enterprise Drive
 Lewis Center, OH 43035
 Phone: 614-430-8660
www.CarettaWorkspace.com
 Made in America

Questions? Call Us!
 (877)422-1088

Lateral File Cabinet with Premium Wood Top: **Dimensions**

Lateral File Cabinet with Premium Wood Top:
Part #: 521-0007-00-00-0




Lateral File Cabinet with Premium Wood Top: **Specifications**

- Part Number:** • Lateral File Cabinet with Premium Wood Top: 521-0007-00-00-0
- Dimensions:** • Lateral File Cabinet: H: 29.00" W: 30.00" D: 18.57"
- Weight:** • Lateral File Cabinet: 110 lbs.
- Construction:** • Meets or exceeds applicable ANSI-BIFMA standards for durability and safety
• All drawers include full extension steel ball-bearing slides with anti-rebound features to ensure smooth operation
• Two file bars are included in each drawer, for side-to-side filing
• File drawers accommodate letter, legal, and A4 files
• Drawer fronts include rubber bumpers for quiet operation
• Full front drawer pulls (consult factory for other pull options)
• Welded steel frame construction and formed channels ensure strength in key areas
• Factory installed counterweight
- Metal:** • Inner frame is 20 gauge steel
• Fronts, tops, and outer panels are 20 and 22 gauge steel
• Drawer bins are 18 and 20 gauge steel
• Black powder coated paint (consult factory for other color options)
- Solid Hardwood:** • Premium solid cherry hardwood frame
• Hand selected for unique grain patterns
• Wood source is FSC Certified
• CNC manufacturing ensures precision fit joinery
- Wood Finish:** • Natural cherry finish highlights wood grain
• Hand-rubbed, 10-step finish process ensures quality
• Meets or exceeds Standards of National Kitchen Cabinet Mfg. Association
• Low VOC, formaldehyde free
• Hand work in finish process ensures high quality
- Drawer Load Capacity:** • 12" (9.5" deep) file drawer: 125 lbs.
- Locks:** • File cabinet locks are keyed randomly
• For multiple file cabinet orders, specify if you would like them keyed alike
- Assembly:** • File cabinet comes without a top
• Wood top is aligned with wood blocks and attached with VHB adhesive
- Typical Lead Time:** • 3 weeks

Note on shipping: The file cabinet will ship direct from the manufacturer via freight. The freight carrier will coordinate delivery with the customer by telephone before delivering. File cabinets will arrive on a pallet. Please specify if you are in a residential area, or if you have a loading dock that can accommodate freight. The wood top will ship from Caretta Workspace's factory.



635 Enterprise Drive
Lewis Center, OH 43035
Phone: 614-430-8660
www.CarettaWorkspace.com
 Made in America

Questions? Call Us!
 (877)422-1088

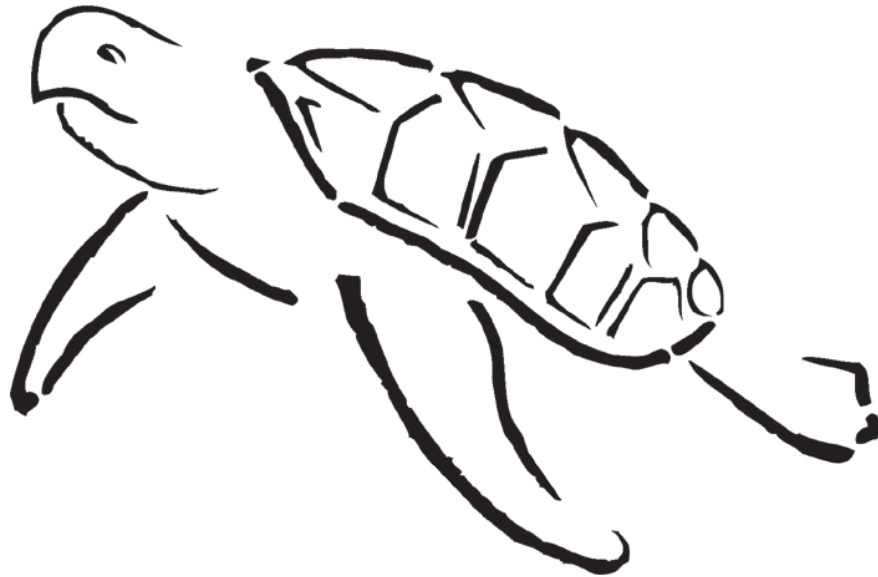
Lateral File Cabinet with Premium Wood Top

Companion Products


Companion Products

Lateral File Cabinet with Premium Wood Top

Lateral File Cabinet with Premium Wood Top



635 Enterprise Drive
Lewis Center, OH 43035
Phone: 614-430-8660
www.CarettaWorkspace.com
 Made in America

Questions? Call Us!
 (877)422-1088